

Robot S6

Semi-Automatic Stretch Wrapper

Performance

- **Production Speed:** 30 LPH
- **Rotation Speed:** Variable up to 260 ft / min
- **Cycle Expectancy:** 150 – 200 loads / battery charge
- The standard Robot S6 configuration (20" film carriage, 110" wrap height mast) features R-Connect as a standard feature. The blue safety beacon light is included as a standard feature.
- The Robot S6 with 86" wrap height has R-Connect as an optional feature. The blue safety beacon light is standard.



Load Capacity

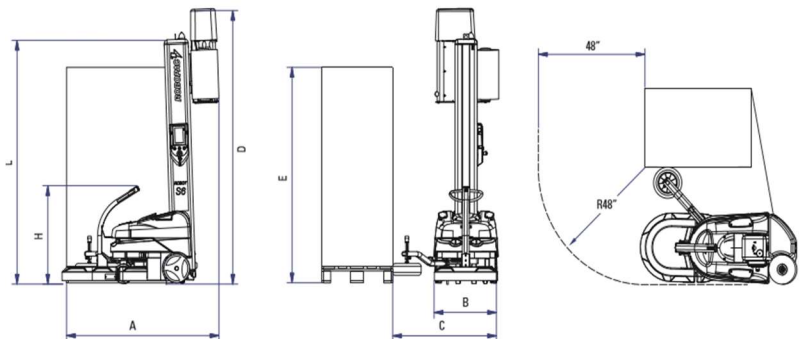
- **Max Load Weight:** Unlimited
- **Max Load Dimensions (LxWxH):** Unlimited L x Unlimited W x 86" or 110" H
- **Min Load Dimensions (LxWxH):** 24" L x 24" W x 10" H
- **Minimum Load Weight:** 200 lbs.

Film Delivery System

- **Cube® Technology:** Combines multi-level variable pre-stretch, multi-level variable containment force, pro-active corner compensation, and strategic film placement to successfully wrap loads & ensure that they reach your customer in as-made condition by maintaining proper wrapping standards.
- **Variable:** 100-400%
- **Containment Force:** Multi-level variable
- **Standard Film Width:** 20" (30" optional)
- **Height Sensing:** Infrared photocell
- **Film Threading:** Patented S-Pattern
- **Corner Compensation:** Load cell

Safety Features

- Pressure sensitive bumper with auto E Stop
- Anti-fall device on carriage
- Flashing light for machine in operation
- Audible machine in operation indicator
- CE Compliant



Utility Requirements

- **Charging System:** On board charger 115V, 1 PH, 20 AMP, 60 Hz
- **Battery:** 24V Battery System
- **Warranty:** 1 Year